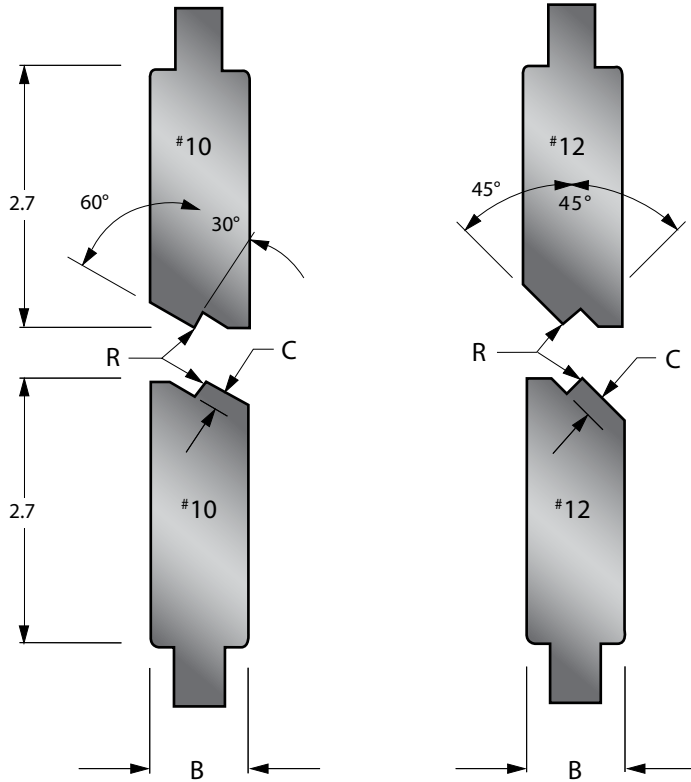


OFFSET DIES

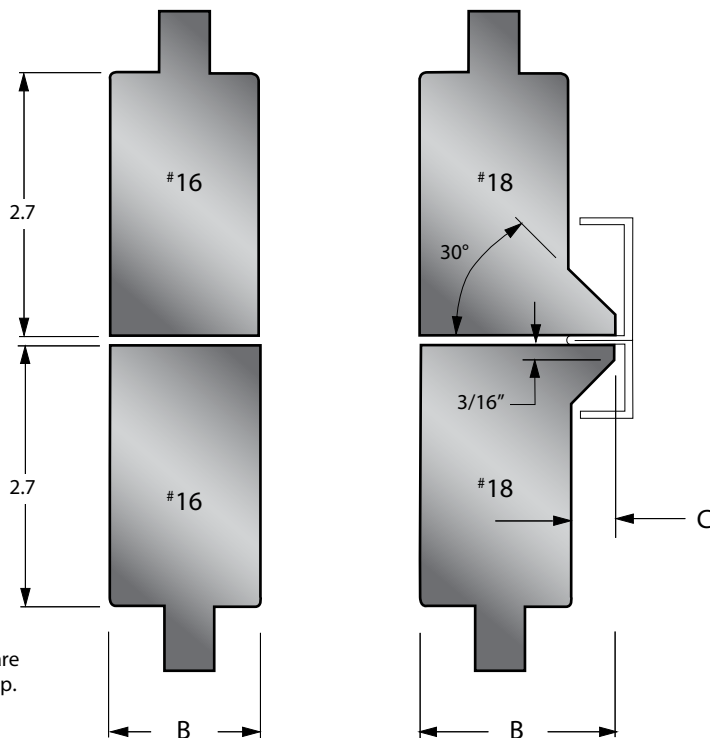
For producing two 90° bends simultaneously.



SET #	ANGLE	B	C	R
#12 - 1/4"	90°	1"	1/4"	1/64"
#12 - 5/16"	90°	1"	5/16"	1/64"
#12 - 3/8"	90°	1-1/4"	3/8"	1/32"
#12 - 1/2"	90°	1-1/4"	1/2"	1/32"
#12 - 5/8"	90°	1-1/2"	5/8"	1/32"
#12 - 3/4"	90°	2"	3/4"	1/32"
#12 - 7/8"	90°	2"	7/8"	1/32"
#12 - 1"	90°	2"	1"	1/32"
#10 - 3/16"	30° / 60°	1"	3/16"	1/64"

A set consists of Top and Bottom

FLATTENING DIES



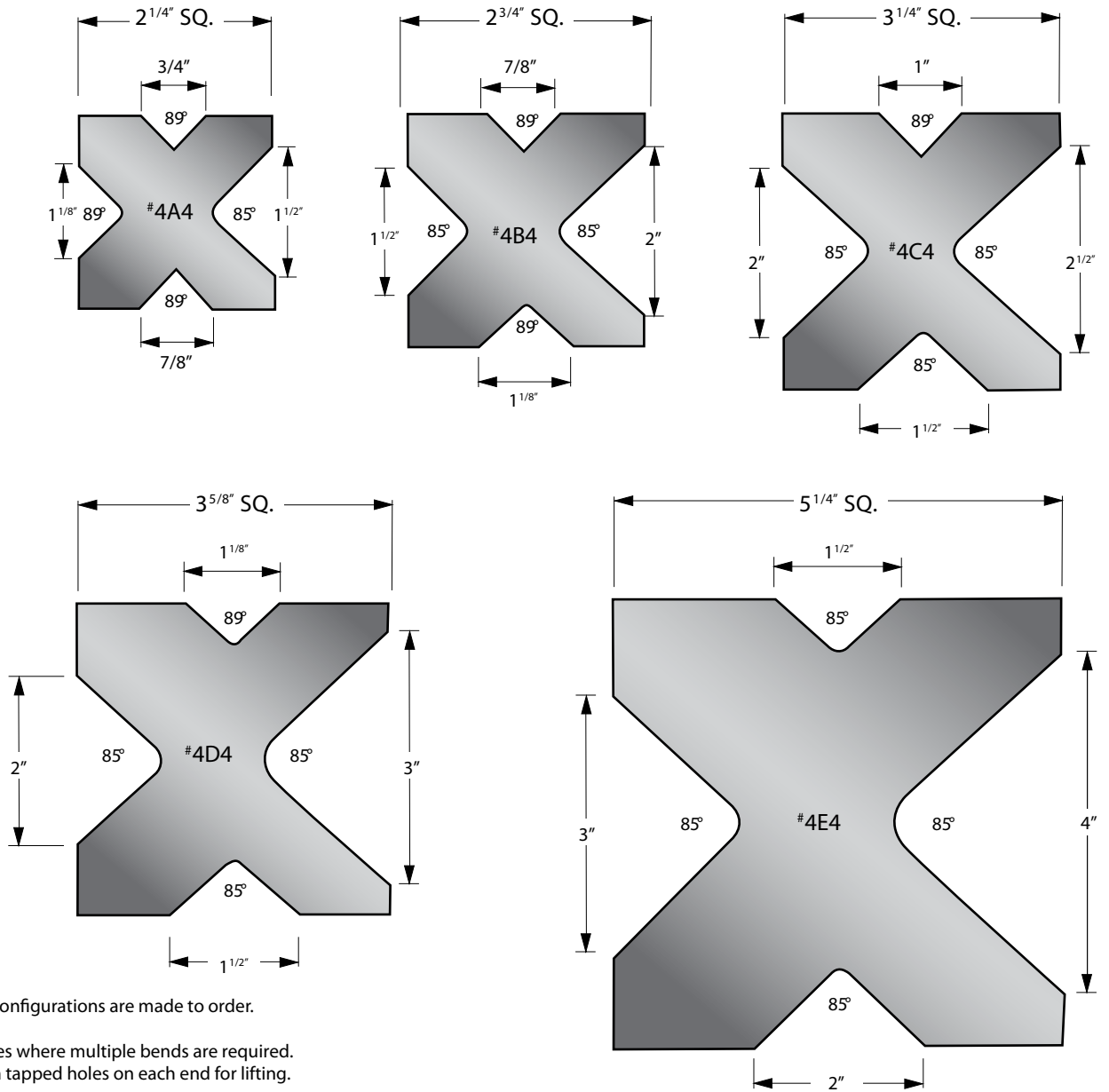
SET #	B	C
#16 - 1-1/2"	1-1/2"	NA
#16 - 2"	2"	NA
#16 - 2-1/2"	2-1/2"	NA
#18 - 2"	1-7/8"	1/2"
#18 - 2-1/2"	2-3/8"	3/4"

A set consists of Top and Bottom

NOTE

Outside widths shown are Bar Sizes prior to cleanup.

4-WAY DIES

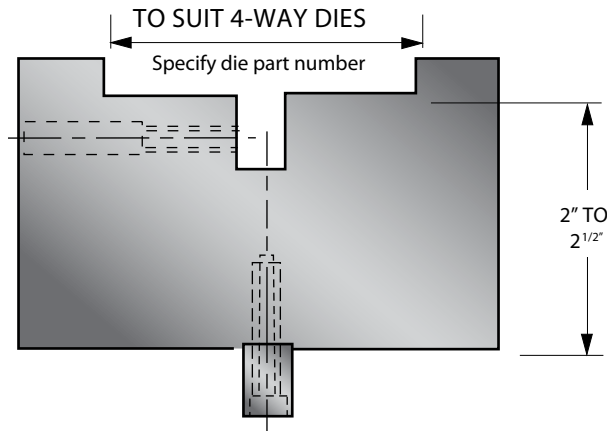


NOTE

Special angles and configurations are made to order.

For quick die changes where multiple bends are required. All are supplied with tapped holes on each end for lifting.

4-WAY DIE ADAPTERS



Screw holes in 4-way adapters are $3/8"$ 16 on 12" centres.

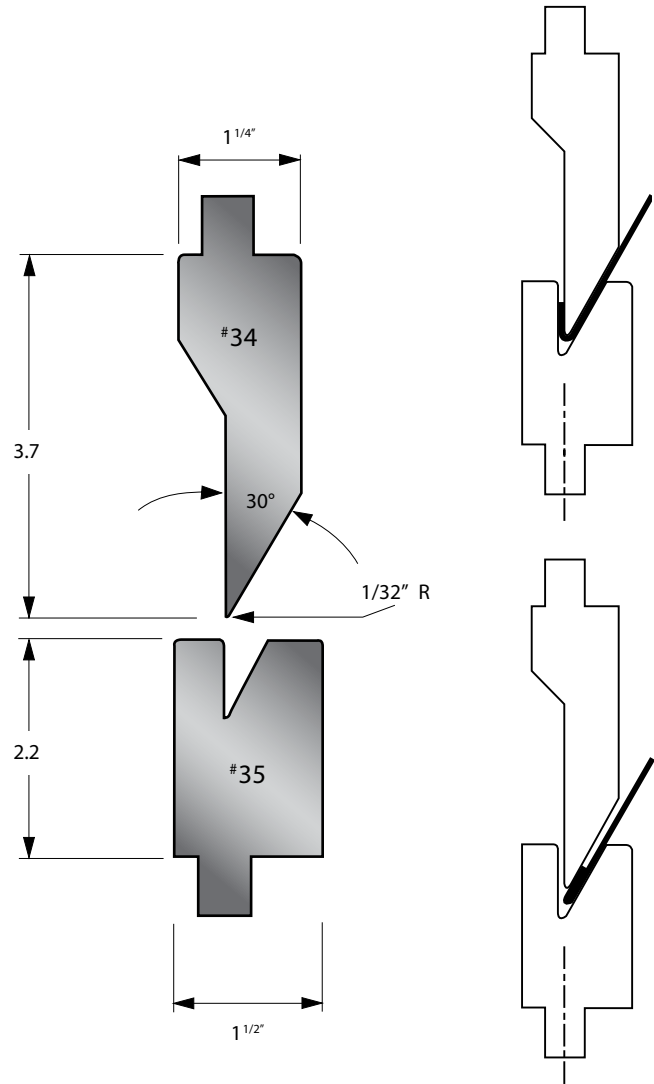
Specify if tongue required.

HEMMING DIES

For bending and crimping the edge of a sheet 18 GA. or lighter.

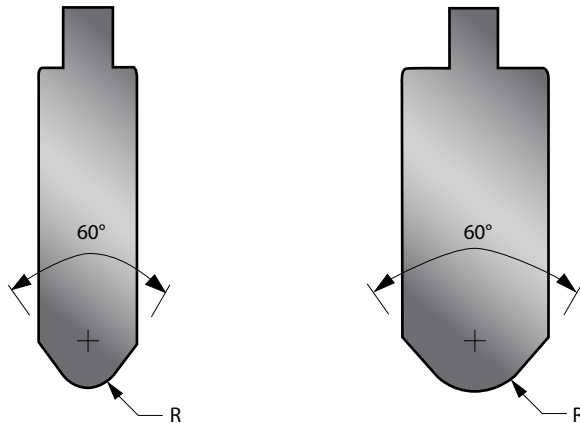
For hemming material heavier than 18 gauge refer to the specials catalog

Two strokes produce a Flattened Hem.

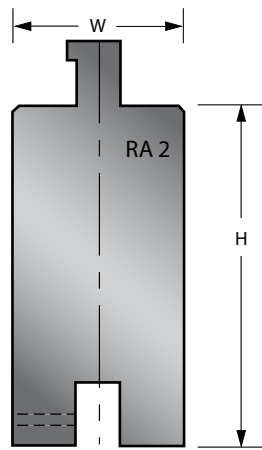
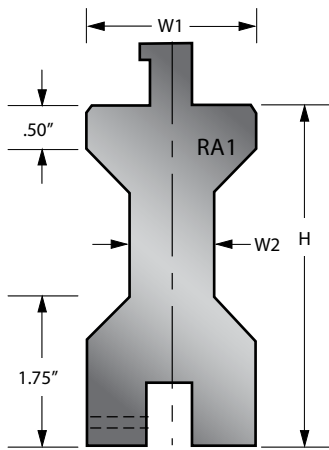


RADIUS PUNCHES

Radius (R) to be specified.

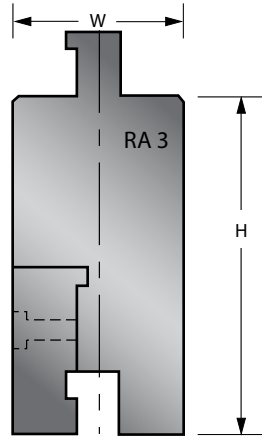


PUNCH HOLDERS



Part #	W Width	H Available Height			
		3-1/8"	3-5/8"	4-1/8"	5-1/8"
RA2	1-1/2"	3-1/8"	3-5/8"	4-1/8"	5-1/8"
RA2	2"	3-1/8"	3-5/8"	4-1/8"	5-1/8"
RA2	2-1/2"	3-1/8"	3-5/8"	4-1/8"	5-1/8"
RA2	3"	3-1/8"	4-1/8"	5-1/8"	5-1/8"

Part #	W1 Width	W2 Width	H Available Height		
			3-5/8"	4-1/8"	5-1/8"
RA1	1-1/2"	.62"	3-5/8"	4-1/8"	5-1/8"
RA1	2"	1"	3-5/8"	4-1/8"	5-1/8"
RA1	2-1/2"	1-1/4"	3-5/8"	4-1/8"	5-1/8"

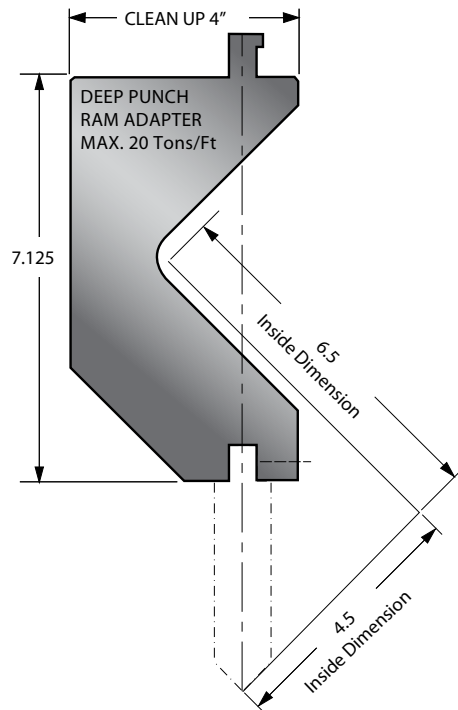


Part #	W Width	H Available Height			
		3-1/8"	3-5/8"	4-1/8"	5-1/8"
RA3	2"	3-1/8"	3-5/8"	4-1/8"	5-1/8"
RA3	2-1/2"	3-1/8"	3-5/8"	4-1/8"	5-1/8"
RA3	3"	3-1/8"	3-3/4"	4-1/8"	5-1/8"

NOTE
Any Punch Holder with a width of 2" or greater can be made to accept a Hook/Safety Tang.

EXTRA HIGH GOOSENECK PUNCH HOLDER

NOTE
Extra High Gooseneck Punch Holders can be manufactured to accept insert style punches - this allows for a larger inside dimension to be formed.



NOTE
Almost any size punch or die adapter can be made. Contact our sales desk for price and lead time.